



FEM

European Materials Handling Federation
www.fem-eur.com

Product Group /
Elevating Equipment



May 2014

FEM 11.004

Guidance on Dock Leveller Selection

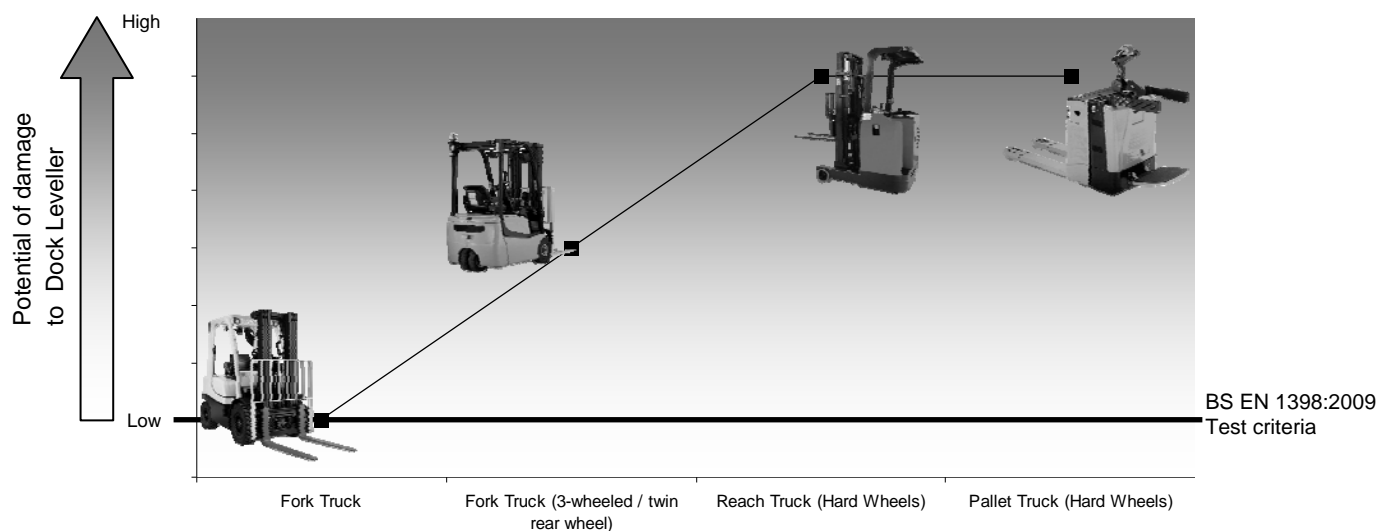
Dock Leveller Deck Plate Awareness
Document

The European Materials Handling Federation (FEM) represents manufacturers and suppliers of Materials Handling Equipment across Europe. The members of its Elevating Equipment Product Group have recognised that there is a need to make customers, specifiers and end users aware of the importance of an issue effecting Dock Levellers built to BS EN 1398:2009 – *Dock levellers – Safety Requirements* that is often overlooked.

This European standard specifies the design and testing methods required to build ‘safe’ equipment, however one issue has been recognised which affects the long term life of this equipment and must be considered by suppliers/manufacturers of the equipment at the time of specifying.

As an example; a typical 6,000Kg capacity Dock Leveller will operate for many years if used with a Fork Lift Truck (total load 6,000Kg) with ‘normal’ rubber tyres, but the upper deck structure can suffer localised damage (requiring potentially expensive repair bills) over time if used with a Pallet Truck or Reach Truck (total load 2,000Kg) with small hard wheels due to the significantly higher pressure such equipment imposes on the Dock Leveller.

The chart below shows some typical examples of common Materials Handling Equipment to highlight the differences.



In other words, it is not only the capacity that is important, but the materials handling equipment used.

Check with the supplier/manufacture that the equipment you are buying is not only capable of supporting the total load you require, but that it is suitable to work with your chosen Materials Handling Equipment.

For further assistance, contact an FEM member company (from the Elevating Equipment Product Group) who will be happy to assist you in specifying the correct equipment for your application. Details can be found on our website: www.fem-eur.com (section: Product Groups > Elevating Equipment).

FEM Elevating Equipment Product Group

The recommendations and advice contained in this Guidance Note are based on specifications, procedures and other information that have been collected from the FEM from its members. They represent what is, as far as FEM is aware, the best available data at the time of publication on the instruction and use of the equipment concerned in the general conditions described and are intended to provide guidance for such use.

The suitability of this Guidance Note must be determined by the judgement of the person applying it in accordance with the conditions in which use is envisaged and subject to all relevant statutory requirements.

FEM accepts no responsibility for the recommendations, advice, statements and conclusions expressed or implied and gives no warranty, representation or assurance with respect to the accuracy or validity of the same.



FEM

European Materials Handling Federation
www.fem-eur.com

© Copyright FEM